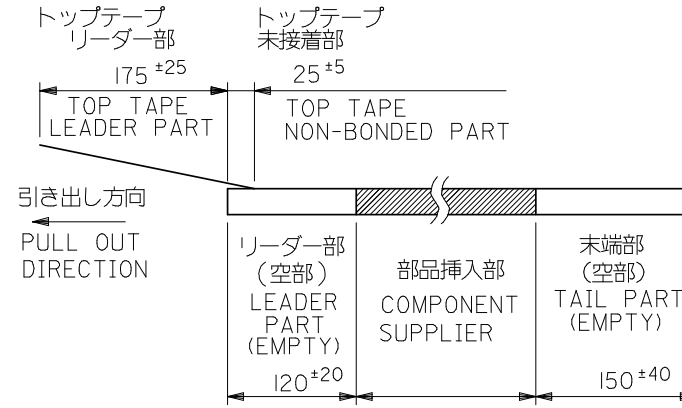


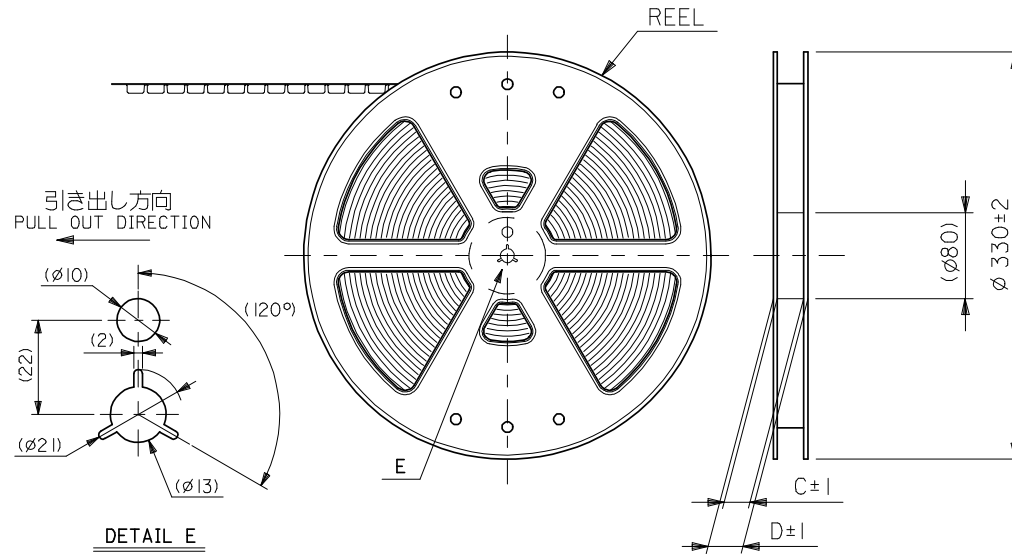
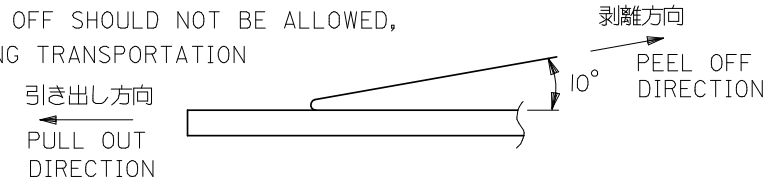
注記 NOTES

- 製品番号 52559-\*\*19 の梱包状態はアクチュエータがロックした状態とする。  
詳細寸法については図面 SD-52559-\*\*19 を参照下さい。  
IN THE PACKAGE,ACTUATOR OF PART NO.52559-\*\*19 SHOULD BE LOCKED RE DETAILED DIMENSIONS,SEE SD-52559-\*\*19
- 梱包数量：1000個/リール  
NUMBER OF CONNECTORS:1000PCS/REEL
- リードテープ長さ LEAD TAPE LENGTH



- トップテープの剥離強度：(剥離方向は下図参照)  
0.1N~1.3N {10gf~130gf}尚、本規格値は、出荷時に適用。  
(但し、輸送時に剥離が発生しない事。)

PEELING OFF FORCE OF TOP TAPE  
0.1~1.3N{10gf~130gf}(PEELING DIRECTION AS SHOWN IN FOLLOWING FIG.)  
THIS REQUIREMENT SHOULD BE APPLIED AT SHIPMENT  
PEEL OFF SHOULD NOT BE ALLOWED,  
DURING TRANSPORTATION

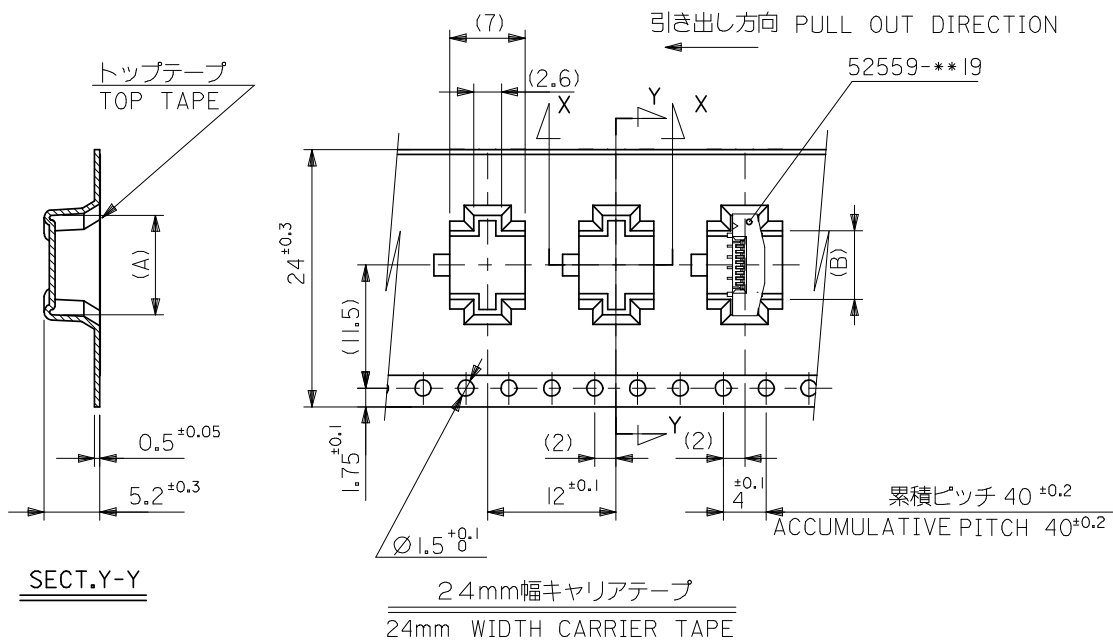


- 材料  
キャリアテープ：ポリプロピレン (PP)  
トップテープ：PET, PE, PEF  
リール：ポリスチレン (PS) <リサイクル材を含む>

MATERIAL CARRIER TAPE:POLYPROPYLENE  
TOP TAPE:PET,PE,PEF  
REEL:POLYSTYREN(PS)  
<RECYCLE MATERIAL CONTAINED>

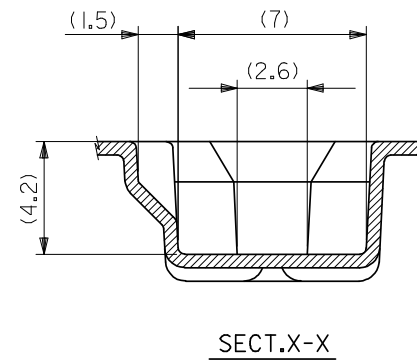
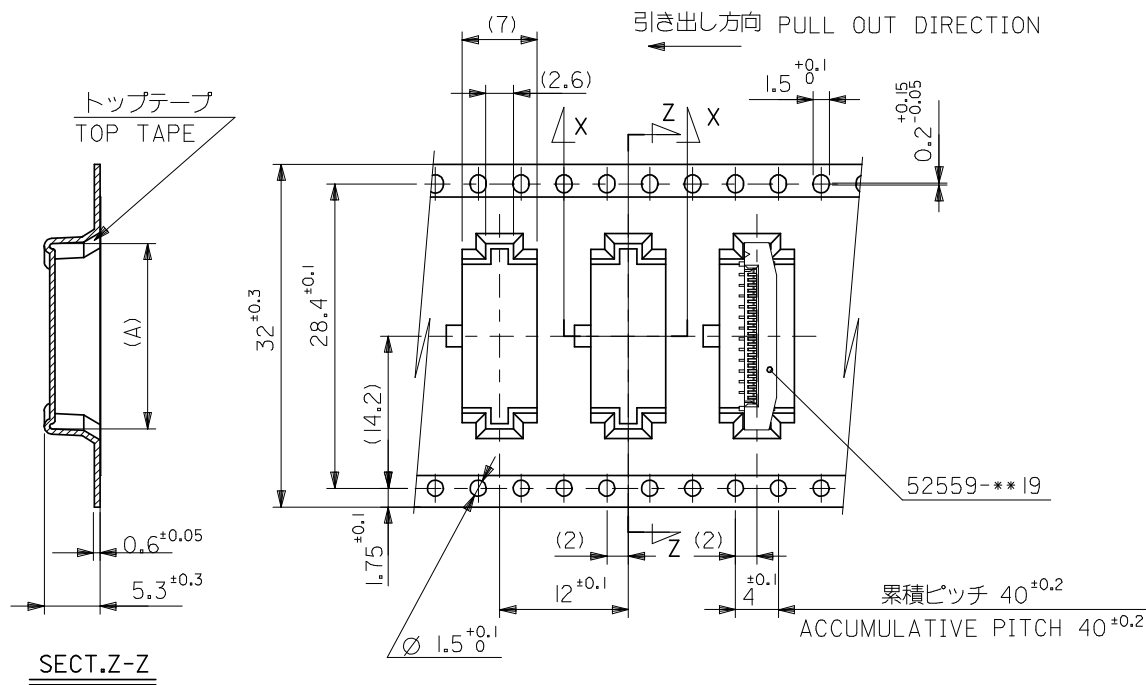
- 本製品は 52559-\*\*90の鉛フリー品である。  
THIS PRODUCT IS LEAD FREE OF

REVISED EC NO: J2008-3972 DRWN:WABEI 2008/05/20 CHKD:THARUYAMA 2008/05/21 APPR:NUKITA 2008/05/21	DESCRIPTION	GENERAL TOLERANCES (UNLESS SPECIFIED)		DIMENSION STYLE MM ONLY		SCALE ---	52559-**70	MODEL NO.
		10 UNDER	±0.2	DRAWN BY HSHIMABUKURO	DATE '04/01/07	TITLE	DESIGN UNITS METRIC	THIRD ANGLE PROJECTION
		10 OVER 30 UNDER	±0.25	CHECKED BY KTOJO	DATE '04/01/07	0.5 FPC CONN ASSY ZIF SMT SMT EMBSTP PKG -LEAD FREE-	MOLEX	SHEET NO. 1 OF 4
		30 OVER	±0.3	APPROVED BY MSASAO	DATE '04/01/07			
ANGULAR ±3 °		DRAFT WHERE APPLICABLE MUST REMAIN WITHIN DIMENSIONS		MATERIAL NO. SEE CHART		DOCUMENT NO. SD-52559-029		
SIZE A3 THIS DRAWING CONTAINS INFORMATION THAT IS PROPRIETARY TO MOLEX INCORPORATED AND SHOULD NOT BE USED WITHOUT WRITTEN PERMISSION								



24	29.4	25.4	13.4	16.3	52559-2270	22
			12.4	15.3	52559-2070	20
			11.9	14.8	52559-1970	19
			11.4	14.3	52559-1870	18
			10.4	13.3	52559-1670	16
			9.9	12.8	52559-1570	15
			9.4	12.3	52559-1470	14
			8.9	11.8	52559-1370	13
			8.4	11.3	52559-1270	12
			7.9	10.8	52559-1170	11
6.4	9.3	52559-0870	8			
5.4	8.3	52559-0670	6			
キャリアテープ幅 CARRIER TAPE WIDTH	D	C	(B)	(A)	MATERIAL. NO.	極数 CIRCUIT

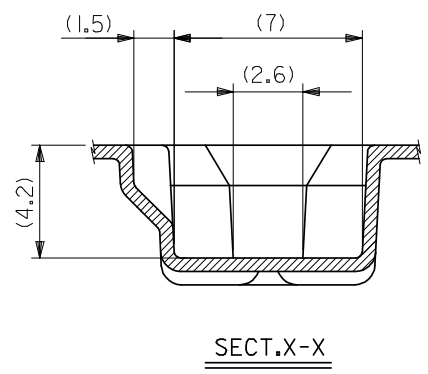
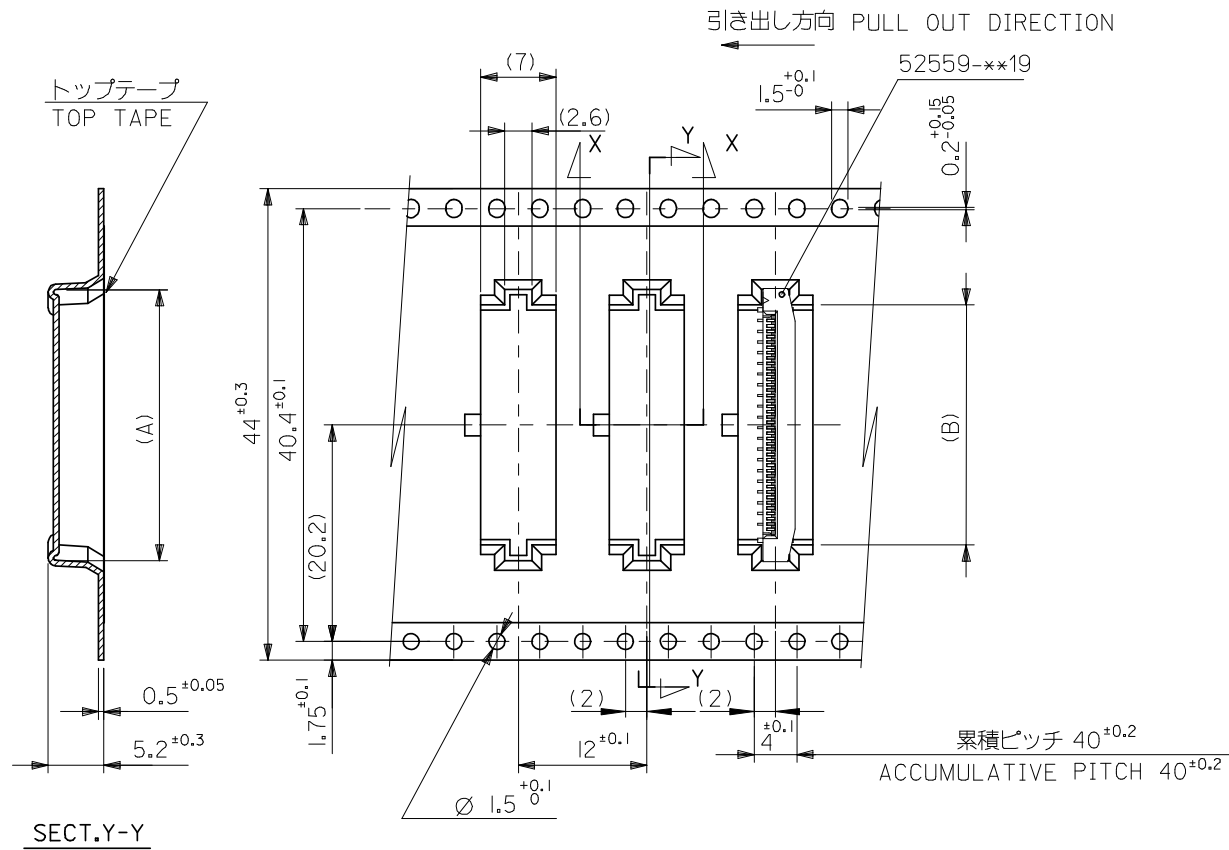
REVISED EC NO: J2008-3972 DRWN: NABEI 2008/05/20 CH'KD: THARUYAMA 2008/05/21 APPR: NUKITA 2008/05/21	GENERAL TOLERANCES (UNLESS SPECIFIED)		DIMENSION STYLE MM ONLY		SCALE ---	DESIGN UNITS METRIC	THIRD ANGLE PROJECTION
	10 UNDER	±0.2	DRAWN BY HSHIMABUKURO	DATE '04/01/07	TITLE 0.5 FPC CONN ASSY ZIF SMT SMT EMBSTP PKG -LEAD FREE-		
	10 OVER 30 UNDER	±0.25	CHECKED BY KTOJO	DATE '04/01/07	APPROVED BY MSASAO		
	30 OVER	±0.3	APPROVED BY MSASAO		DATE '04/01/07	MOLEX INCORPORATED	
	ANGULAR ±3 °		MATERIAL NO. SEE CHART		DOCUMENT NO. SD-52559-029	SHEET NO. 2 OF 4	
DRAFT WHERE APPLICABLE MUST REMAIN WITHIN DIMENSIONS		THIS DRAWING CONTAINS INFORMATION THAT IS PROPRIETARY TO MOLEX INCORPORATED AND SHOULD NOT BE USED WITHOUT WRITTEN PERMISSION					



32mm幅キャリアテープ  
32mm WIDTH CARRIER TAPE

32	37.4	33.4	18.9	21.8	52559-3370	33
			18.4	21.3	52559-3270	32
			17.4	20.3	52559-3070	30
			16.4	19.3	52559-2870	28
			15.4	18.3	52559-2670	26
			14.9	17.8	52559-2570	25
			14.4	17.3	52559-2470	24
キャリアテープ幅 CARRIER TAPE WIDTH	D	C	(B)	(A)	MATERIAL. NO.	極数 CIRCUIT

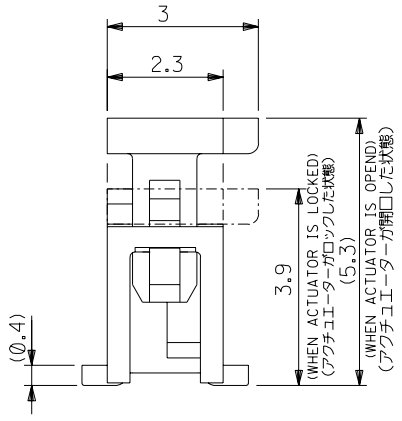
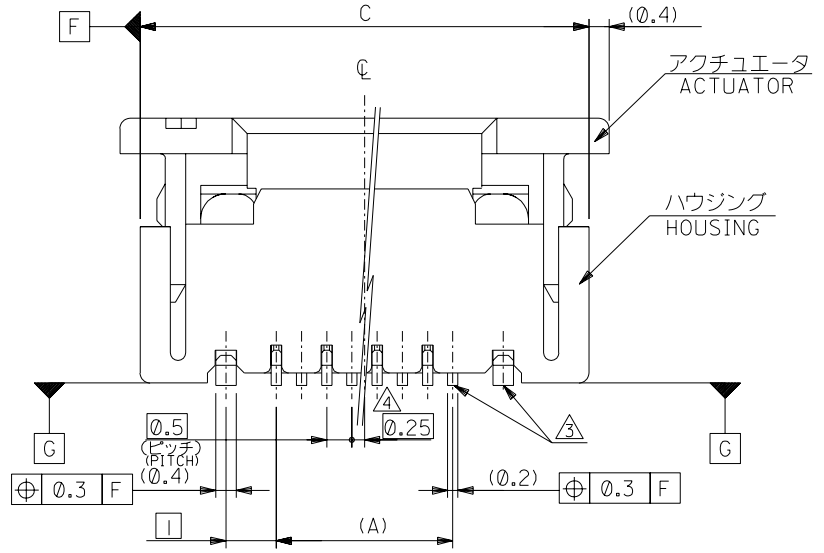
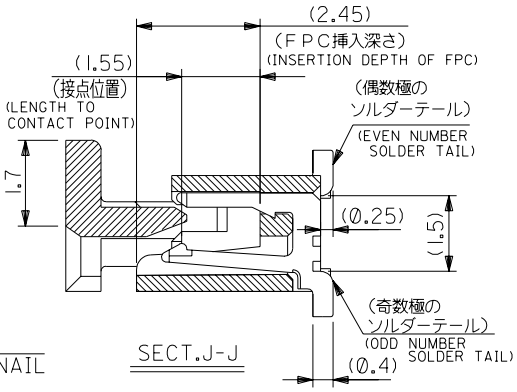
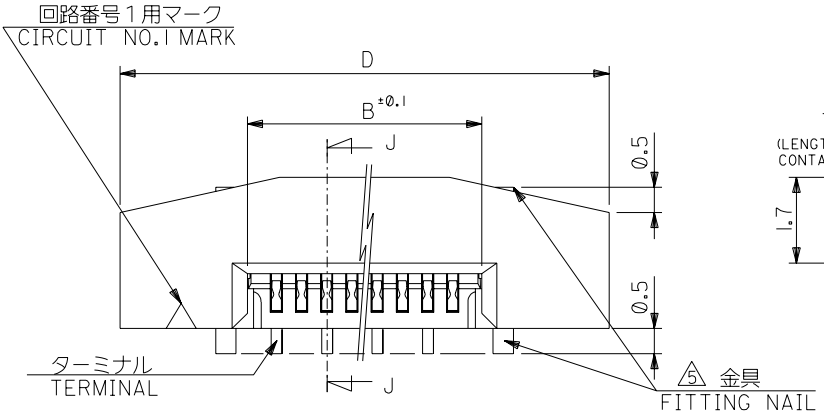
<b>REVISED</b> EC NO: J2008-3972 DRWN:MNABEI 2008/05/20 CH'KD:THARUYAMA 2008/05/21 APPR:NUKITA 2008/05/21	GENERAL TOLERANCES (UNLESS SPECIFIED)		DIMENSION STYLE MM ONLY		SCALE ---	DESIGN UNITS METRIC	THIRD ANGLE PROJECTION
	10 UNDER	±0.2	DRAWN BY HSHIMABUKURO	DATE '04/01/07	TITLE 0.5 FPC CONN ASSY ZIF SMT SMT EMBSTP PKG -LEAD FREE-		
	10 OVER 30 UNDER	±0.25	CHECKED BY KTOJO	DATE '04/01/07	APPROVED BY MSASAO		
	30 OVER	±0.3	APPROVED BY MSASAO		DATE '04/01/07	MOLEX INCORPORATED	
	ANGULAR ±3°		MATERIAL NO. SEE CHART		DOCUMENT NO. SD-52559-029	SHEET NO. 3 OF 4	
DRAFT WHERE APPLICABLE MUST REMAIN WITHIN DIMENSIONS		THIS DRAWING CONTAINS INFORMATION THAT IS PROPRIETARY TO MOLEX INCORPORATED AND SHOULD NOT BE USED WITHOUT WRITTEN PERMISSION					



44mm幅キャリアテープ  
44mm WIDTH CARRIER TAPE

44	49.4	45.4	22.4	25.3	52559-4070	40
キャリアテープ幅 CARRIER TAPE WIDTH	D	C	(B)	(A)	52559-3670	36
					MATERIAL NO.	CIRCUIT NO.

REVISED EC NO: J2008-3972 DRWN: NABEI CHKD: THARUYAMA APPR: NUKITA	GENERAL TOLERANCES (UNLESS SPECIFIED)		DIMENSION STYLE MM ONLY		SCALE ---	DESIGN UNITS METRIC	THIRD ANGLE PROJECTION
	10 UNDER	±0.2	DRAWN BY DATE HSHIMABUKURO '04/01/07		TITLE 0.5 FPC CONN ASSY ZIF SMT ST EMBSTP PKG -LEAD FREE-		
	10 OVER 30 UNDER	±0.25	CHECKED BY DATE KTOJO '04/01/07		APPROVED BY DATE MSASAO '04/01/07		
	30 OVER	±0.3	MATERIAL NO. SEE CHART		DOCUMENT NO. SD-52559-029		SHEET NO. 4 OF 4
	ANGULAR ±3 °		DRAFT WHERE APPLICABLE MUST REMAIN WITHIN DIMENSIONS		THIS DRAWING CONTAINS INFORMATION THAT IS PROPRIETARY TO MOLEX INCORPORATED AND SHOULD NOT BE USED WITHOUT WRITTEN PERMISSION		



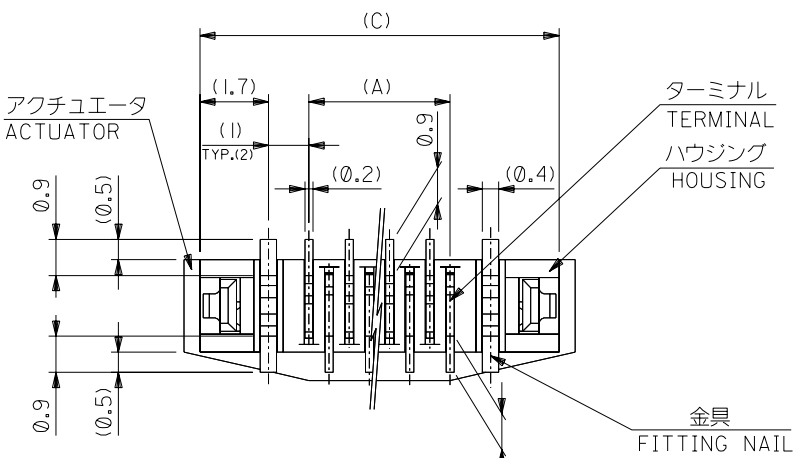
注記 NOTES

- 使用材料 : MATERIAL  
 ハウジング :46NYLON UL94V-0  
 HOUSING  
 アクチュエータ :PPS UL94V-0  
 ACTUATOR  
 ターミナル :リン青銅 (t=0.2)  
 TERMINAL PHOS-BRO  
 :錫ビスマスマッキ 1.0マイクロメートル以上  
 TIN-BISMUTH 1.0 MICROMETER MINIMUM  
 :ニッケル下地 1.0マイクロメートル以上  
 NICKEL(UNDER PLATING) 1.0 MICROMETER MINIMUM  
 金具 :リン青銅 (t=0.4)  
 FITTING NAIL PHOS-BRO  
 :錫メッキ 1.0マイクロメートル以上  
 TIN 1.0 MICROMETER MINIMUM  
 :ニッケル下地 1.0マイクロメートル以上  
 NICKEL(UNDER PLATING) 1.0 MICROMETER MINIMUM
- エンボスステップ梱包時は、アクチュエータがロックした状態とする。  
 IN THE PACKAGE,ACTUATOR OF PART NO.52559-019 SHOULD BE LOCKED.  
 △ソルダータール半田付け面のズレ量、及び金具半田付け面のズレ量は、基準面 G に対し上方向 0.05 MAX. , 下方向 0.15 MAX. とする。  
 MISALIGNMENT OF SOLDER TAILS AND FITTING NAILS FROM UPPER DIRECTION: 0.05 MAX. , LOWER DIRECTION: 0.15 MAX.  
 △偶数種に適用。  
 APPLY FOR EVEN CIRCUIT.  
 △パターンはくり止め用金具。  
 FITTING NAIL FOR PREVENTION OF PEELING OF P.C.B. PATTERN.  
 △R0.3は、FPCの導体部にかからないこと。  
 R0.3 MUST NOT BE OVERLAPPED TO PATTERN OF FPC.
- 本製品は 52559-019 の鉛フリー品である。  
 THIS PRODUCT IS LEAD FREE OF 52559-019

DO NOT SCALE DRAWING

64NO. DRWN: CH'K: APPR: 63NO. DRWN: CH'K: APPR: 62NO. DRWN: CH'K: APPR:		REVISED 61NO. J2004-3551 DRWN: H. KAWABATA 04/04/05 CH'K: K. TOJO 04/04/05 APPR: H. Saito 04/04/05		RELEASED 60NO. J2004-1818 DRWN: H. SHIMABUKURO 04/01/07 CH'K: K. TOJO 04/01/07 APPR: H. Saito 04/01/07		MATERIAL 材料 注記参照 SEE NOTES		GENERAL TOLERANCES: (UNLESS SPECIFIED) 一般公差 10 UNDER 未満 ±0.2 10 OVER 以上 30 UNDER 未満 ±0.25 30 OVER 以上 ±0.3		SCALE 1:1 DESIGN UNITS ㎜mm □INCH DRAWN BY & DATE H. SHIMABUKURO '04/01/07 CHECKED BY & DATE K. TOJO '04/01/07 APPROVED BY & DATE H. Saito '04/01/07		MODEL NO. 52559-019 DIMENSIONS: ㎜mm □INCH ㎜mm □INCH SHT 1 OF 2 REV B CAD FILENAME SD-52559-045.S01 MATERIAL NO. SEE CHART DRAWING NO. SD-52559-045 SHEET NO. 1 OF 2	
WIRE RANGE 適用 規格 範囲 INS. RANGE 被覆 外径		DESCRIPTION 0.5 FPC Conn. Assy ZIF. -LEAD FREE-		TITLE:		MOLEX MOLEX INCORPORATED		CAD FILENAME SD-52559-045.S01 MATERIAL NO. SEE CHART DRAWING NO. SD-52559-045 SHEET NO. 1 OF 2		7888 DRAWING CONTAINS INFORMATION THAT IS PROPRIETARY TO MOLEX INCORPORATED AND SHOULD NOT BE USED WITHOUT WRITTEN PERMISSION.		SIZE B	

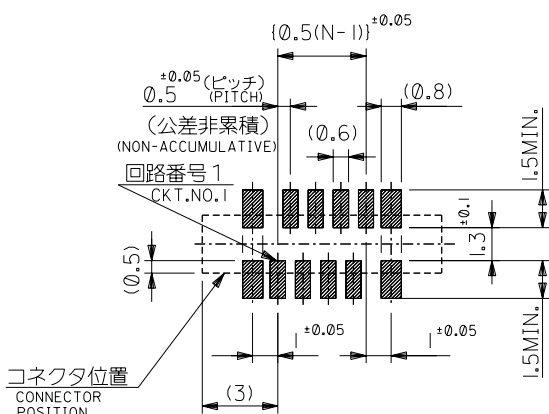
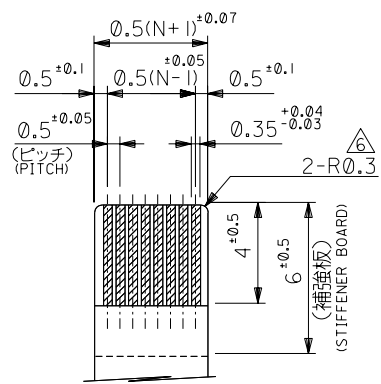
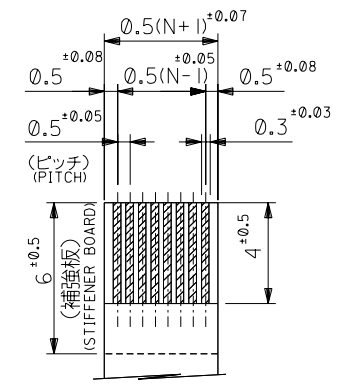
DWG. NO. SD-52559-045



FPCについて：  
 打抜き方向は導体側から補強板側を推奨致します。  
 補強フィルム材質はポリイミドを推奨致します。  
 接着剤は熱硬化接着剤を推奨致します。

ABOUT FPC :  
 RECOMMENDED PUNCHER DIRECTION : FROM CONDUCTOR SIDE TO STIFFENER BOARD SIDE.  
 RECOMMENDED MATERIAL :  
 STIFFENER FILM : POLYIMIDE  
 BONDING AGENT : THERMOSETTING BONDING AGENT

下面図  
 BOTTOM VIEW



適合FPC推奨寸法  
 APPLICABLE FPC  
 RECOMMENDED DIMENSION.  
 (仕上がり厚さ: 0.3±0.05)  
 (THICKNESS: 0.3±0.05)

適合FPC推奨寸法  
 APPLICABLE FPC  
 RECOMMENDED DIMENSION.  
 (仕上がり厚さ: 0.3±0.05)  
 (THICKNESS: 0.3±0.05)

25.7	24.9	20.65	19.5	52559-4019	40
23.7	22.9	18.65	17.5	-3619	36
22.2	21.4	17.15	16.0	-3319	33
21.7	20.9	16.65	15.5	-3219	32
21.2	20.4	16.15	15.0	-3119	31
20.7	19.9	15.65	14.5	-3019	30
20.2	19.4	15.15	14.0	-2919	29
19.7	18.9	14.65	13.5	-2819	28
19.2	18.4	14.15	13.0	-2719	27
18.7	17.9	13.65	12.5	-2619	26
18.2	17.4	13.15	12.0	-2519	25
17.7	16.9	12.65	11.5	-2419	24
17.2	16.4	12.15	11.0	-2319	23
16.7	15.9	11.65	10.5	-2219	22
16.2	15.4	11.15	10.0	-2119	21
15.7	14.9	10.65	9.5	-2019	20
15.2	14.4	10.15	9.0	-1919	19
14.7	13.9	9.65	8.5	-1819	18
14.2	13.4	9.15	8.0	-1719	17
13.7	12.9	8.65	7.5	-1619	16
13.2	12.4	8.15	7.0	-1519	15
12.7	11.9	7.65	6.5	-1419	14
12.2	11.4	7.15	6.0	-1319	13
11.7	10.9	6.65	5.5	-1219	12
11.2	10.4	6.15	5.0	-1119	11
10.7	9.9	5.65	4.5	-1019	10
10.2	9.4	5.15	4.0	-0919	9
9.7	8.9	4.65	3.5	-0819	8
8.7	7.9	3.65	2.5	52559-0619	6
D	C	B	(A)	MATERIAL NO.	極数

DO NOT SCALE DRAWING

図番 NO. DRWN: CHK: APPR:	図番 NO. DRWN: CHK: APPR:	図番 NO. DRWN: CHK: APPR:	REVISED 図番 NO. J2004-3551 DRWN: H.KAWABATA '04/04/05 CHK: K.TOJO '04/04/05 APPR: H. Saito '04/04/05	RELEASED 図番 NO. J2004-1818 DRWN: H.SHIMABUKURO '04/01/07 CHK: K.TOJO '04/01/07 APPR: H. Saito '04/01/07	MATERIAL 材料 注記参照 SEE NOTES	GENERAL TOLERANCES: (UNLESS SPECIFIED) 一般公差 10 UNDER 未満 ±0.2 10 OVER 以上 30 UNDER 未満 ±0.25 30 OVER 以上 ±0.3	SCALE 1:1 DESIGN UNITS <input checked="" type="checkbox"/> mm <input type="checkbox"/> INCH	MODEL NO. 52559-***19 DIMENSIONS: <input type="checkbox"/> mm <input type="checkbox"/> INCH <input checked="" type="checkbox"/> mm ONLY SHT REV		
			WIRE RANGE 適用 適用範囲 INS. RANGE 被覆 外径	DESCRIPTION 注記参照 SEE NOTES	DRAWN BY & DATE H.SHIMABUKURO '04/01/07 CHECKED BY & DATE K.TOJO '04/01/07 APPROVED BY & DATE H. Saito '04/01/07	TITLE: 0.5 FPC Conn. Assy ZIF. -LEAD FREE-				
			CAD FILENAME SD-52559-045.S02		MATERIAL NO. SEE CHART		DRAWING NO. SD-52559-045		SHEET NO. 2 OF 2	
THIS DRAWING CONTAINS INFORMATION THAT IS PROPRIETARY TO MOLEX INCORPORATED AND SHOULD NOT BE USED WITHOUT WRITTEN PERMISSION.										SIZE B

SD-52559-045.S02